



Sync11 Powered Air Purifying Respirator

PRODUCT DESCRIPTION

Breath responsive PAPR of Half mask integrated with a fan unit and battery making it "Compact", "Economical", "Light", with a high protection. PAPR, but Half Mask.

APPLICATION

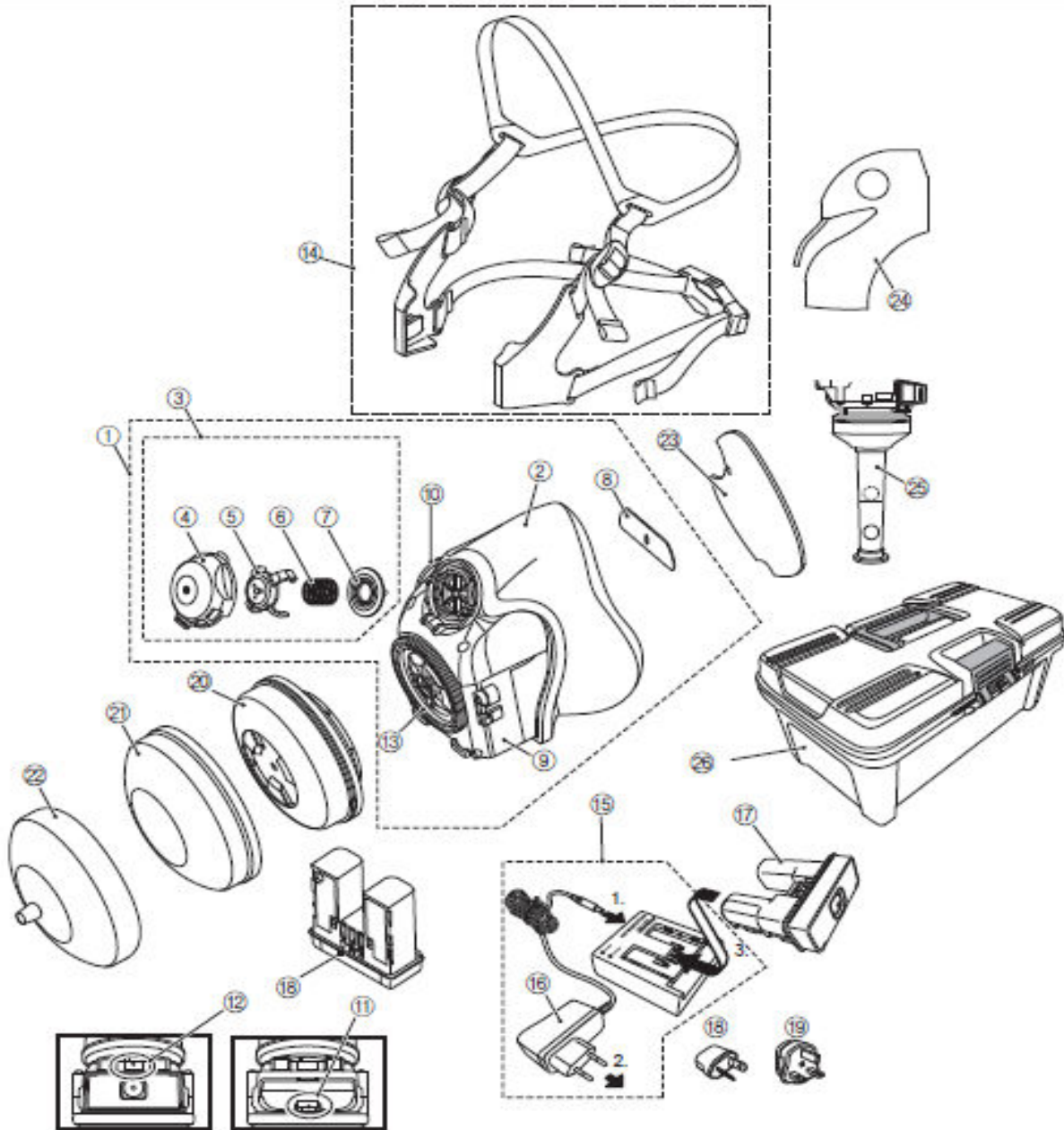
Sync11 Powered Air Purifying REspirator can **ONLY** be used with "V Series" filter. Please refer to "COMPATIBLE FILTERS" for further information of filters.

KEY FEATURES

<u>Easy breathing</u>	<u>Breath responsive PAPR provides clean filtered air by fan as you inhale.</u>
<u>Long life and light battery</u>	<u>Breath responsive makes a long battery life with light weight built-in battery.</u>
<u>High protection</u>	<u>Positive pressure is maintained inside the mask.</u>
<u>Cordless</u>	<u>No battery connection cable which does not disturb your work.</u>
<u>Switchless</u>	<u>Automatic ON/OFF function.</u>
<u>LED indicators</u>	<u>Two indicators for Battery life and filter replacement .</u>
<u>Half mask with TM3 protection</u>	<u>Wear like the negative pressure half mask, but provides the highest TM3 protection.</u>

TECHNICAL DATA

Material	Silicone rubber
Sizes	Universal size
Connector	"Bayonet" connectors for use with STS "V Series" filters
Weight	Approx. 450g (includes facepiece unit, filter, and battery)
Approvals	EN12942:1998+A2:2008 TM3 / IEC 60529:2001 IP63 rated



PARTS LIST

No.	Part name	Product Code	Packing Unit
①	*Facepiece Unit "MU-E11" (Includes: Inner Mask & Head Harness)	40490 ^{*1}	1 pc / pack
②	Face Blank	-	-
F	③ *Spring-loaded exhalation valve	41380 ^{*2}	5 pcs / pack
a	④ *Exhalation valve cover	41475	1 pc / pack
c	⑤ *Exhalation valve spring cover	41381	5 pcs / pack
e	⑥ *Exhalation valve spring	41382	5 pcs / pack
p	⑦ *Exhalation valve	41291	5 pcs / pack
i	⑧ *Inhalation valve	50123	5 pcs / pack
e	⑨ Fan unit	-	-
c	⑩ Filter replacement indicator	-	-
e	⑪ Battery lock lever	-	-
	⑫ Battery life indicators	-	-
	⑬ *Gasket	41482	10 pcs / pack
	⑭ *Head harness	41419	1 pc / pack
C	⑮ *Charger "CH-L2HAC"	41734 ^{*3}	1 pc / pack
h	⑯ AC adaptor	-	-
a	⑰ *Battery "BA-L2H-E"	41735	10 pcs / pack
r	⑱ *Conversion Plug O	41192	10 pcs / pack
g	⑲ *Conversion Plug BF	41193	10 pcs / pack
e			
r			
	*Particle filter "VP3"	40350	1 pc / pack
O	⑳ *Combined filter "VA1P3"	40250	1 pc / pack
	*Combined filter "VABE1P3"	40251	1 pc / pack
p	㉑ *Filter guard	50583	1 pc / pack
t	㉒ *Fit checker "R18"	13001	1 pc / pack
i	㉓ *Inner sponge	03117	10 pcs / pack
o	㉔ *Unit cover	41450	10 pcs / pack
n	㉕ *Airflow tester "FM-6"	04478	1 pc / pack
	㉖ *Storage case	41196	1 pc / pack

*Spare parts available for purchase

*1 ②-⑬ are attached.

*2 ④-⑦ are attached.

*3 ⑯ is attached.

COMPATIBLE FILTERS

Filter	Product name	Filter Type	Colour code	Application
Particle filter	VP3	P R SL	White	Solid and liquid particles
Combined filter	VA1P3	A1 P R SL	Brown, White	Organic vapour, particles
Combined filter	VABE1P3	ABE1 P R SL	Brown, Grey, Yellow, White	Organic vapour, Inorganic vapour, Sulfur dioxide, Acid gas, particles

MATERIALS

Component	Material
1. Facepiece "MU-E11"	
Face Blank	Silicone Rubber, PBT(Polybutylene terephthalate)
Exhalation Valve	Silicone Rubber, Polycarbonate
Exhalation Valve Spring	Stainless
Gasket, Inhalation Valve	Silicone Rubber
Spring Cover	PBT(Polybutylene terephthalate)
2. Main Unit	PBT(Polybutylene terephthalate), Polyester thermoplastic elastomer
3. Head Harness	
Head Band	Polyethylene
Adjuster, Buckle	Polyacetal
4. Battery "BA-L2H-E"	
Battery	Lithium-ion battery

IMPORTANT NOTICE

All information contained in tables and notes have been compiled using skills and diligence. SHIGEMATSU WORKS CO., LTD. publishes such information in good faith however will not be responsible for any errors or omissions contained in this guide.